

# Installation Manual

Prestige External TD

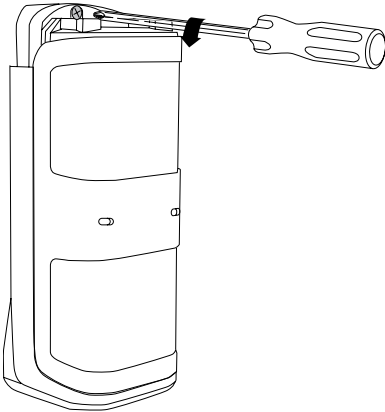
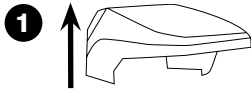
INS352-2

alarm shop



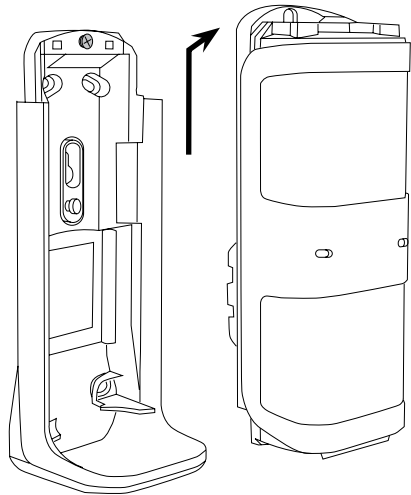
**Texecom**  
Designed to Perform

## 1. Accessing the Unit

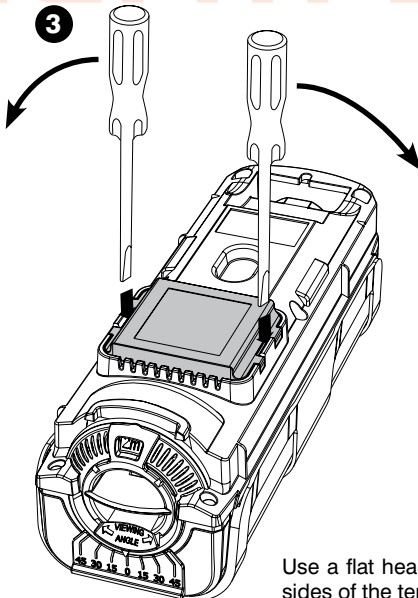


Remove the top cap and loosen screw  
(screw retained in wall plate).

2



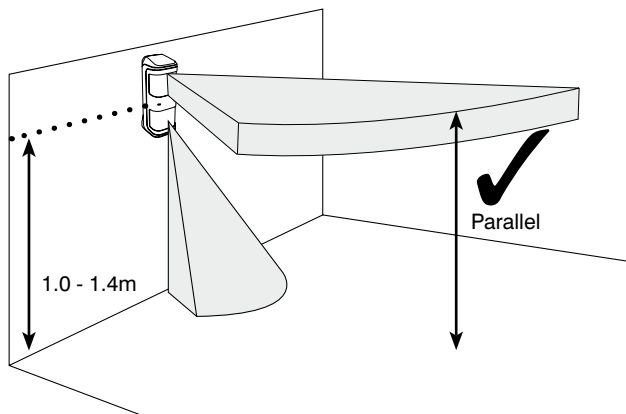
Push up head unit and remove.



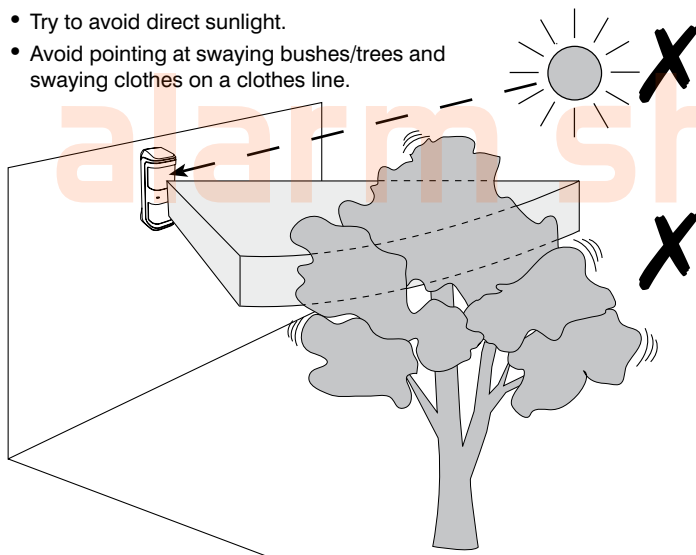
Use a flat head screwdriver to lever out both  
sides of the terminal cover as shown.

## 2. Choosing a Location

- Mounting height 1.0 - 1.4m (nominal 1.2m), measured to middle of unit.
- Mount perpendicular to ground.

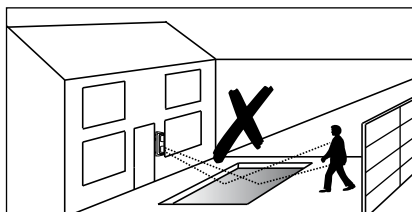


- Try to avoid direct sunlight.
- Avoid pointing at swaying bushes/trees and swaying clothes on a clothes line.

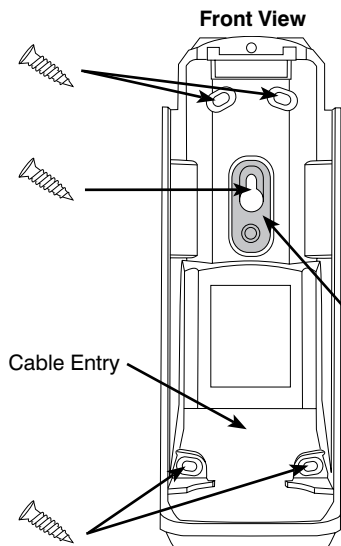


• Try to install the detector so its detection area is terminated by building/fences etc. This will reduce the effect of range variation caused by environmental changes.

• In the detection area try to avoid reflective surfaces such as standing water, swimming pools or polished floors as this can cause the detectors range or coverage to vary as reflected signals may be seen.

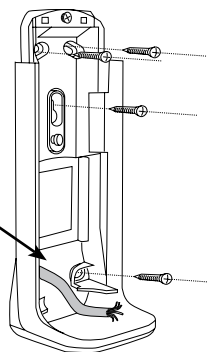


### 3. Mounting the Unit



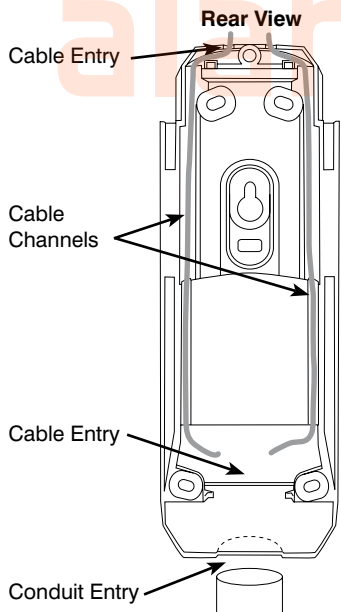
#### WALL MOUNTING

For wall mounting, the cable should be brought through the wall into the cable entry hole.



#### REAR TAMPER

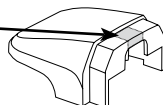
To enable the rear tamper, the breakaway keyhole section must be securely fixed to the mounting surface.



#### SURFACE WIRING

For surface wiring, use the appropriate knockout in the top or bottom of the unit. If wiring from the top, use the knockouts in the top cap and run the cable down the cable channels and into the unit as shown.

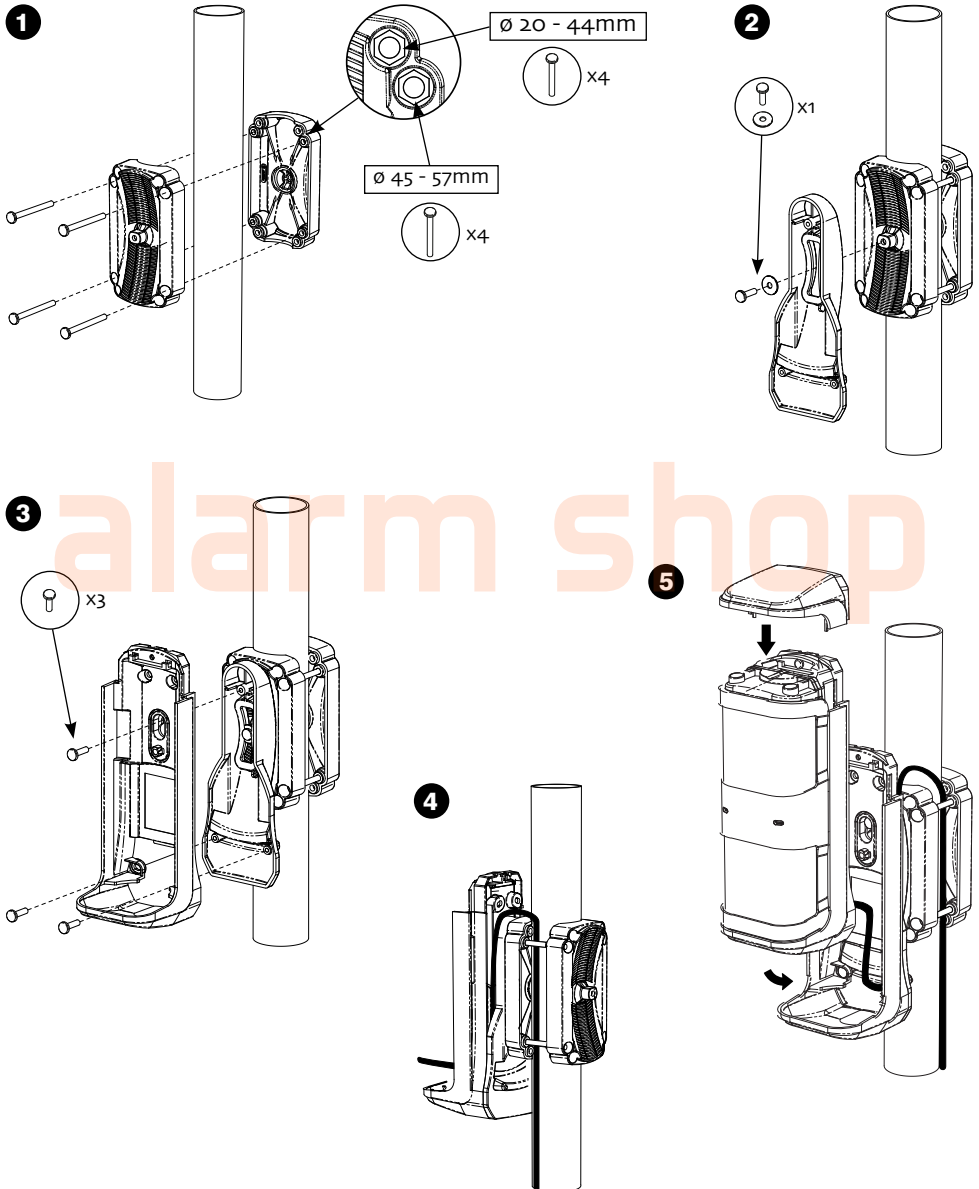
#### Knockout in Top Cap



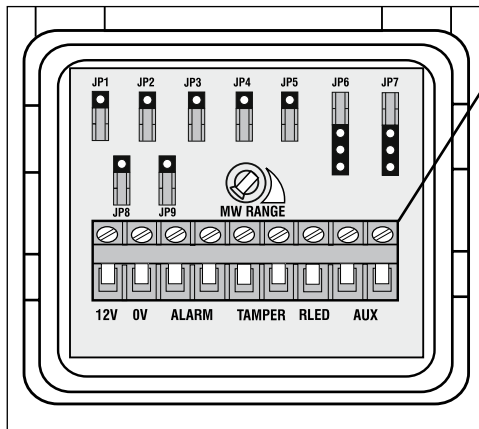
## Pole Mount Bracket Mounting

### POLE MOUNTING

Using the pole mount kit (available separately) the unit can be mounted on poles with an outside diameter of 20 - 57mm. Assemble the kit around the pole as shown and tighten the 4 bolts. Hook the detector wall plate onto the kit and secure the remaining 2 bolts through the lower mounting holes.



## 4. Wiring the Unit

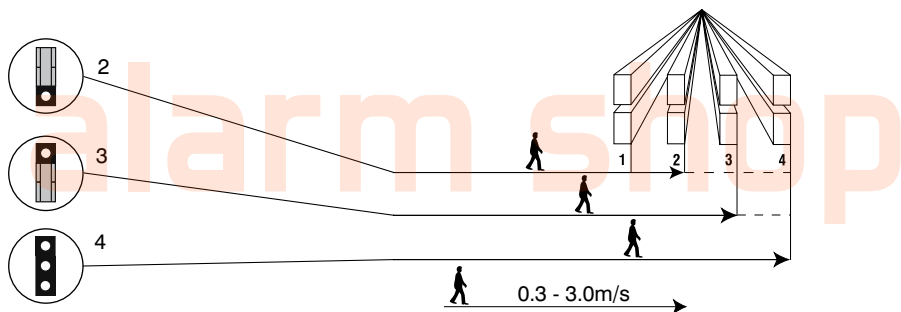


### TERMINAL BLOCK

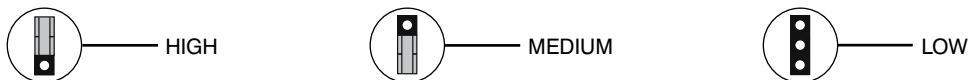
<b>12V &amp; 0V:</b>	9-16 VDC.
<b>ALARM:</b>	NO/NC (selectable) relay output. 18 Ω, 50VDC, 100mA Max.
<b>TAMPER:</b>	NC Relay output. 18 Ω, 50VDC, 100mA Max.
<b>RLED:</b>	<b>0V:</b> LED off. <b>12V or No Connection:</b> LED on.
<b>AUX:</b>	NC relay input.

NC = Normally Closed, NO = Normally Open

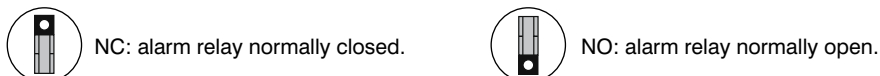
### JP1: Pulse Count



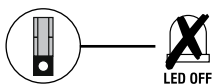
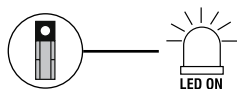
### JP2: Sensitivity



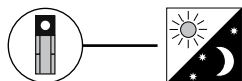
### JP3: Alarm



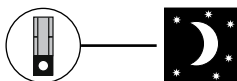
### JP4: LED



### JP5: MODE

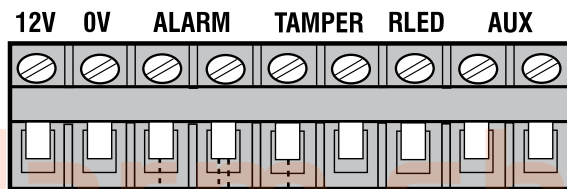


**Day/Night Mode**  
Detector is always operating.



**Night Mode**  
Detector only operates at night.

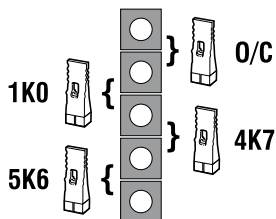
### JP6 & JP7: END OF LINE JUMPERS



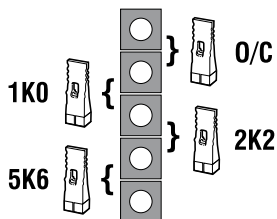
JP7  
Selects the End-of-Line resistance. Equivalent to wiring a resistor of the selected value as shown.

JP6  
Selects the resistance across the alarm relay. Equivalent to wiring a resistor of the selected value as shown.

#### ALARM - JP7



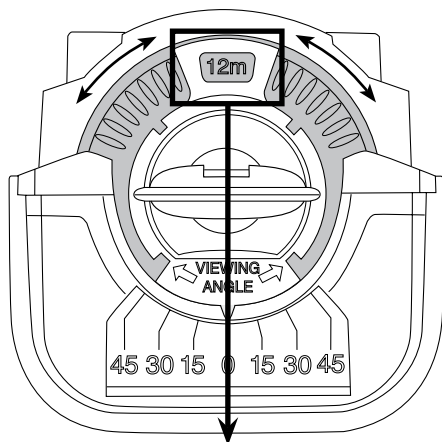
#### TAMPER - JP6



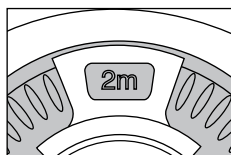
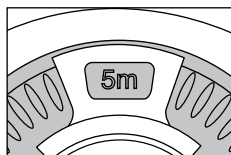
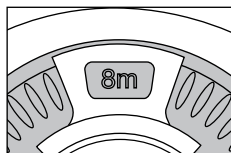
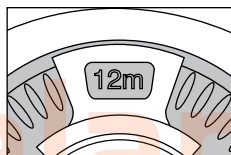
JP8 & JP9: see Auxiliary section (page 9)

## 5. Range Adjustment - PIR

Bottom of head unit



Selected Range

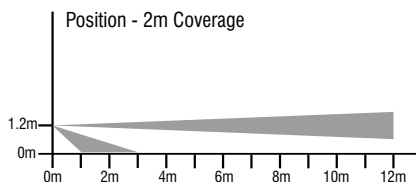
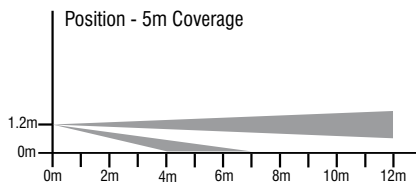
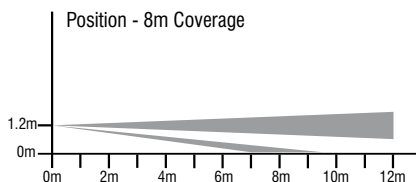
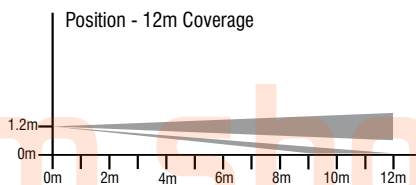


To adjust the range of the detector, rotate the circular section shown until the desired range is shown in the window.

**Note:** Range can vary due to environmental conditions. To reduce the risk of false alarms always select the lowest range possible for the installation.

Specified ranges are valid for nominal 1.2m mounting height.

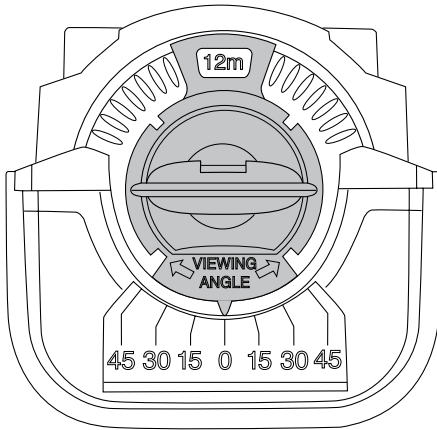
Side View



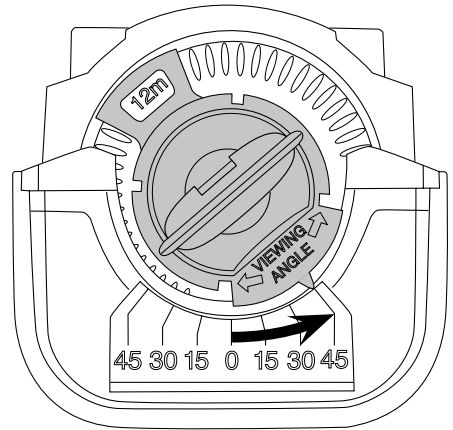


## 6. Coverage Area

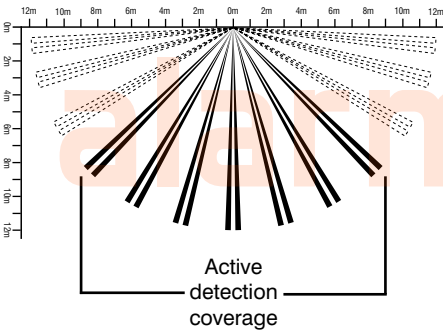
Bottom of head unit



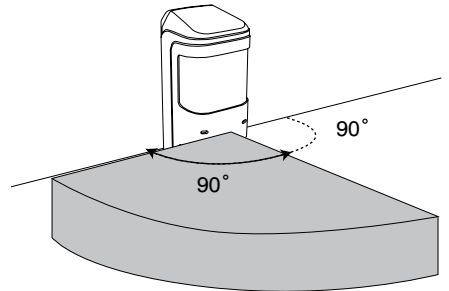
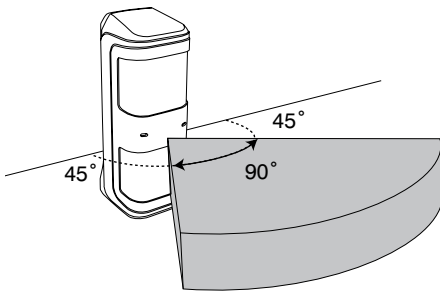
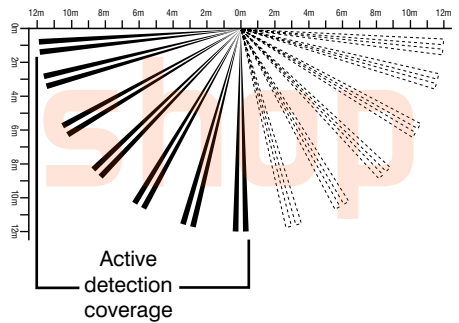
Bottom of head unit



Top View



Top View



### Walk-testing

With the range, sensitivity, coverage and pulse count set as desired, enable the LEDs and walk-through the area of protection. Confirm the LEDs light and alarm relay activates.

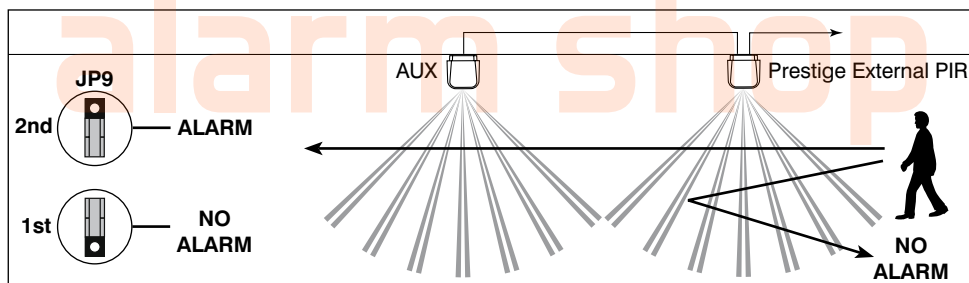
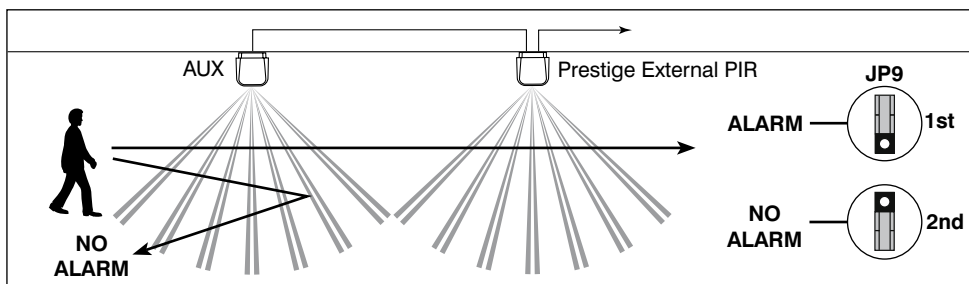
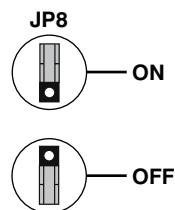
## 7. Auxiliary Input

With the Auxiliary input enabled (JP8), a second detector with a normally closed relay output can be connected to the Prestige External detector to give directional detection. The order of activation required to give an alarm signal is set by the direction jumper (JP9).

When this is set to '1st' the auxiliary detector must be activated first followed by the Prestige External detector within 1 minute to give a valid alarm signal.

With the jumper set to 2nd, the Prestige External detector must be activated followed by the auxiliary detector within 1 minute.

If directional detection is not required, disable the auxiliary input using JP8.



### Quality Assurance

#### Warranty - 2 year replacement warranty.

The Prestige External unit is designed to detect the movement of an intruder and activate an alarm control panel. As the Prestige External unit is not a complete alarm system, but only a part thereof, Texcom cannot accept responsibility or liability for any damages whatsoever based on a claim that the Prestige External unit failed to function correctly.

Due to our policy of continuous improvement Texcom reserves the right to change specification without prior notice. All specifications are measured at 20°C (68°F).



Certificate Number: FM 35285



**MADE IN ENGLAND**

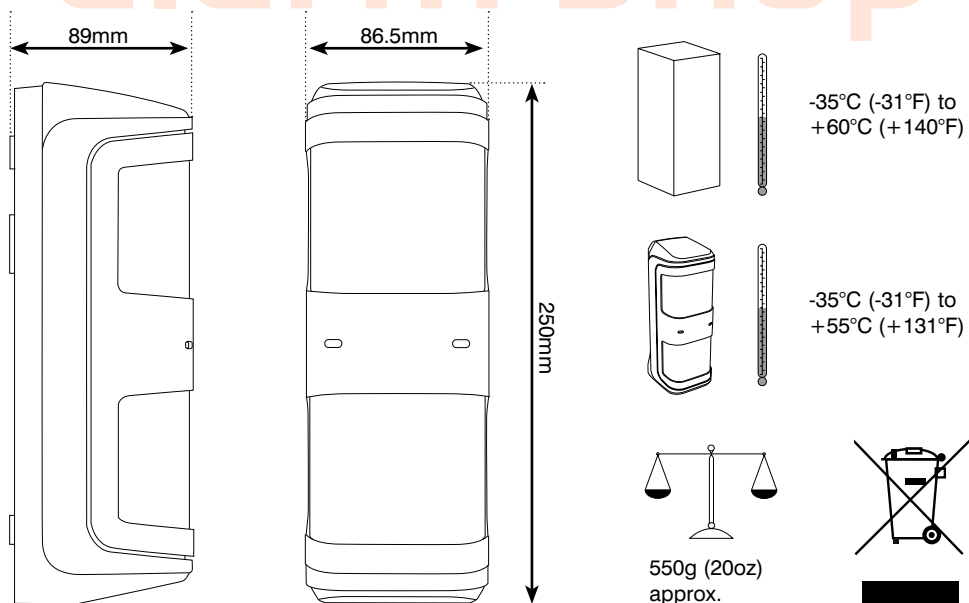
The Prestige External detector is protected by UK & International Designs.

Prestige is a Trademark of Texcom Ltd.

## 8. Specifications

<b>Mounting Height:</b>	1.0 - 1.4m, 1.2m nominal
<b>Supply Voltage:</b>	9-16 Vdc
<b>Current Drain (typical):</b>	28mA
<b>Detection Method:</b>	Dual, non-overlapping, digital PIR
<b>Range:</b>	12m max. Adjustable to 8m, 5m and 2m
<b>Alarm Output:</b>	NC/NO selectable relay. Rated 50Vdc, 100mA, 18Ω
<b>Tamper Detection:</b>	Wall and case. Sealed non-mechanical switch.
<b>Tamper Output:</b>	NC relay. Rated 50Vdc, 100mA, 18Ω
<b>LED Indication:</b>	Red alarm indication
<b>Environmental Protection:</b>	IP65
<b>Waterproof Coating:</b>	Conformal
<b>EMC:</b>	EN 50130-4: 1996, A1 1998, A2 2002. EN 55022: Class B

## 9. Physical Specifications



# alarm shop

**Texecom**  
**www.texe.com**

Texecom Limited, Bradwood Court, St. Crispin Way, Haslingden, Lancashire BB4 4PW, England.

**Technical Support:**

**UK Customers Tel: 08456 300 600**

(Calls charged at 3.36 pence per minute from a BT landline. Calls from other networks may vary.)

**International Customers Tel: +44 1278 686197**

**Email: techsupport@texe.com**

© Texecom Limited 2009.

**INS352-2**

**B20090720**